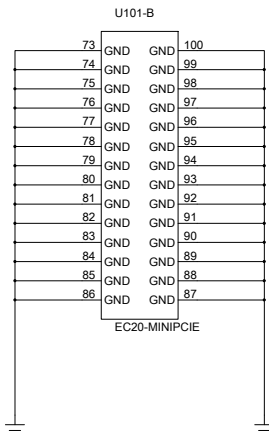
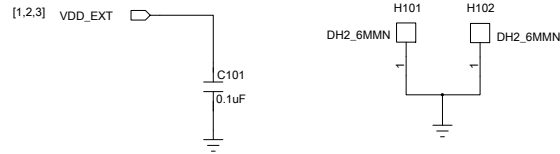
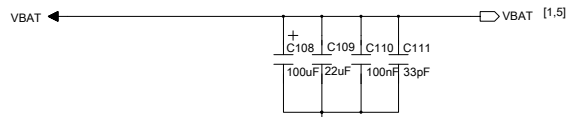
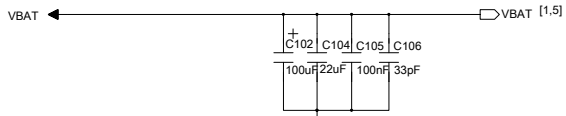
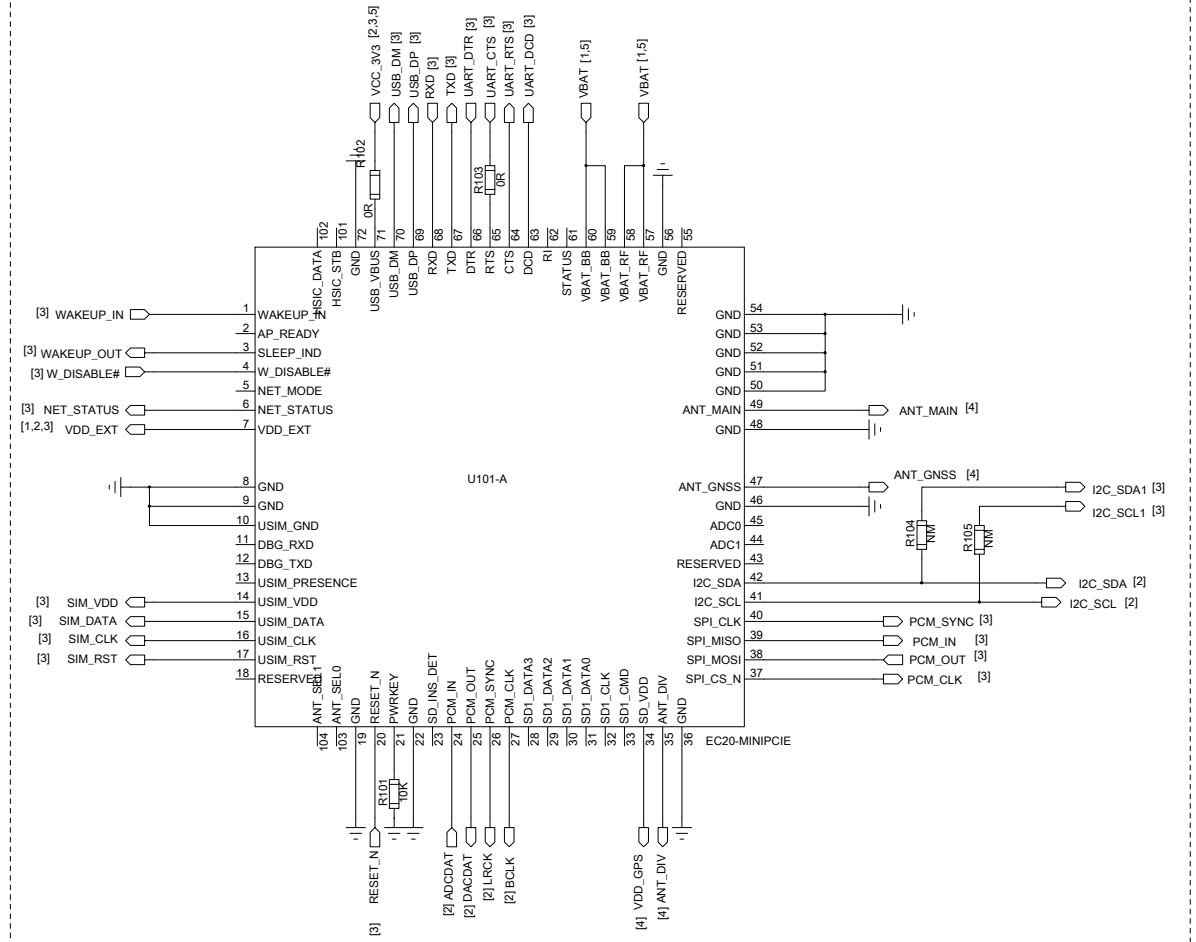


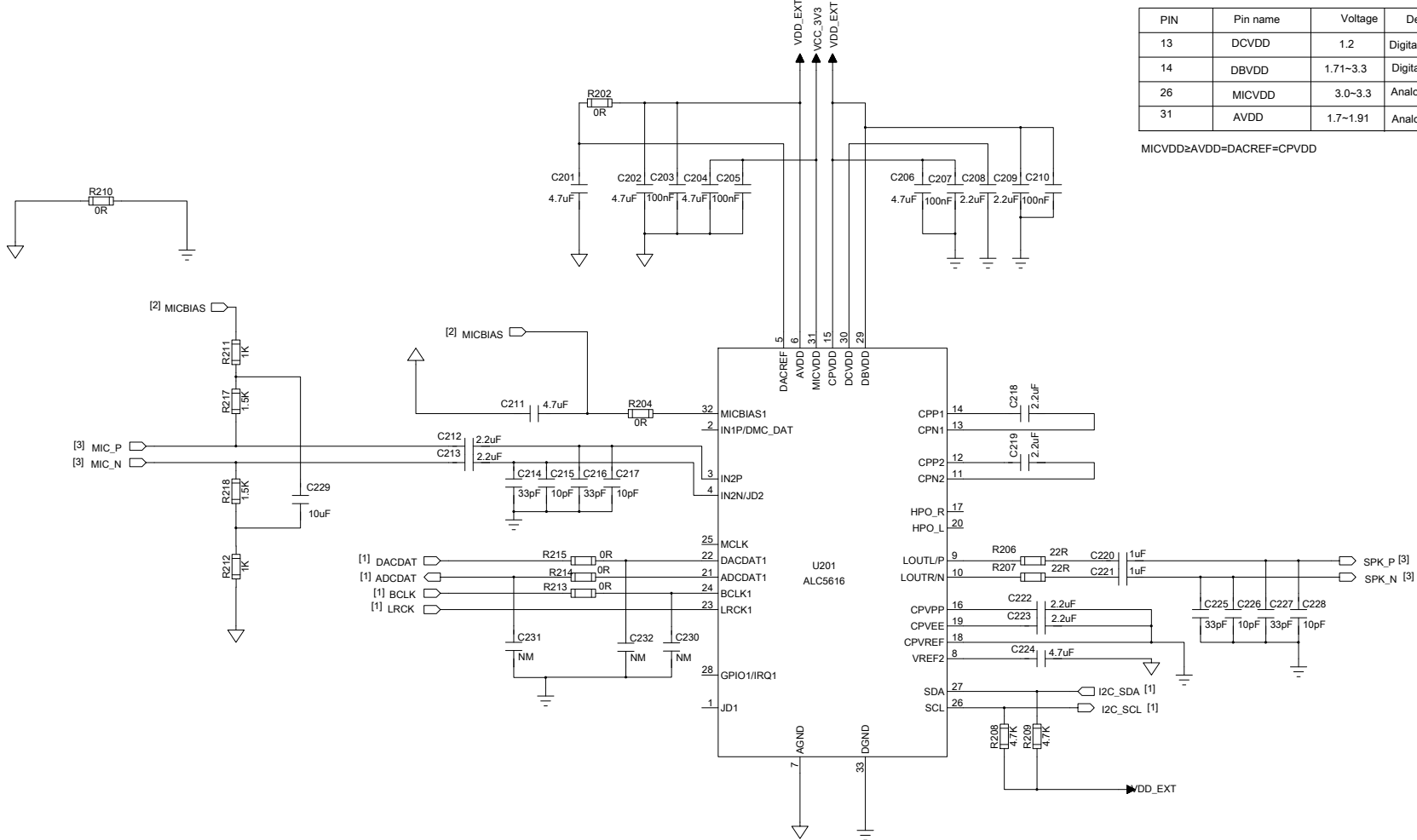
UC20 Interface Definition



说明：
这里的Pin73~Pin100 对应模块实际的Pin85~112。



Quectel Wireless Solutions		
DRAWN BY <NAME HERE>	PROJECT UC20-MINIPICIE-C	TITLE Module_Interface
CHECKED BY <NAME HERE>	SIZE A2	VER 1.01
	SHEET 1 of 4	<2014.5>



PIN	Pin name	Voltage	Description
13	DCVDD	1.2	Digital VDD(CORE)
14	DBVDD	1.71~3.3	Digital VDD(IO Buffer)
26	MICVDD	3.0~3.3	Analog VDD for MICBIAS
31	AVDD	1.7~1.91	Analog VDD

MICVDD=AVDD=DACREF=CPVDD

- [1] DACDAT
- [1] ADCDAT
- [1] BCLK
- [1] LRCK

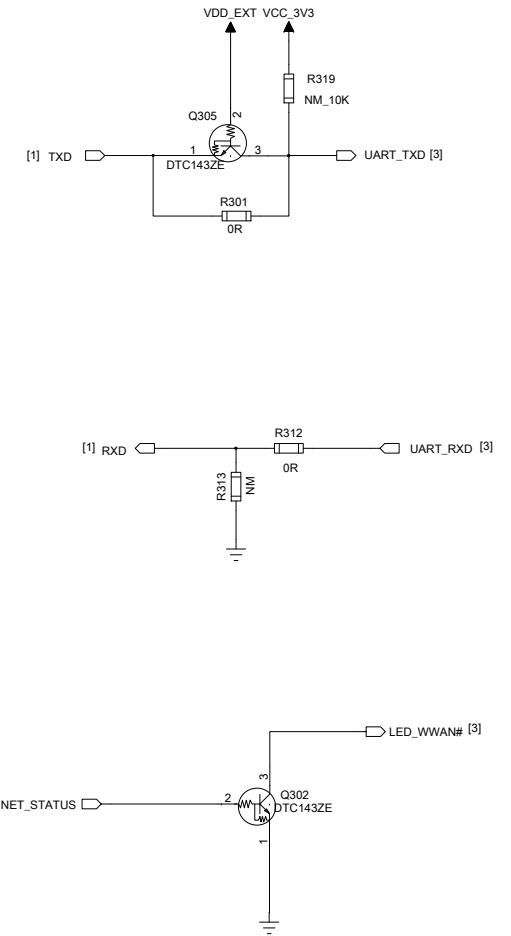
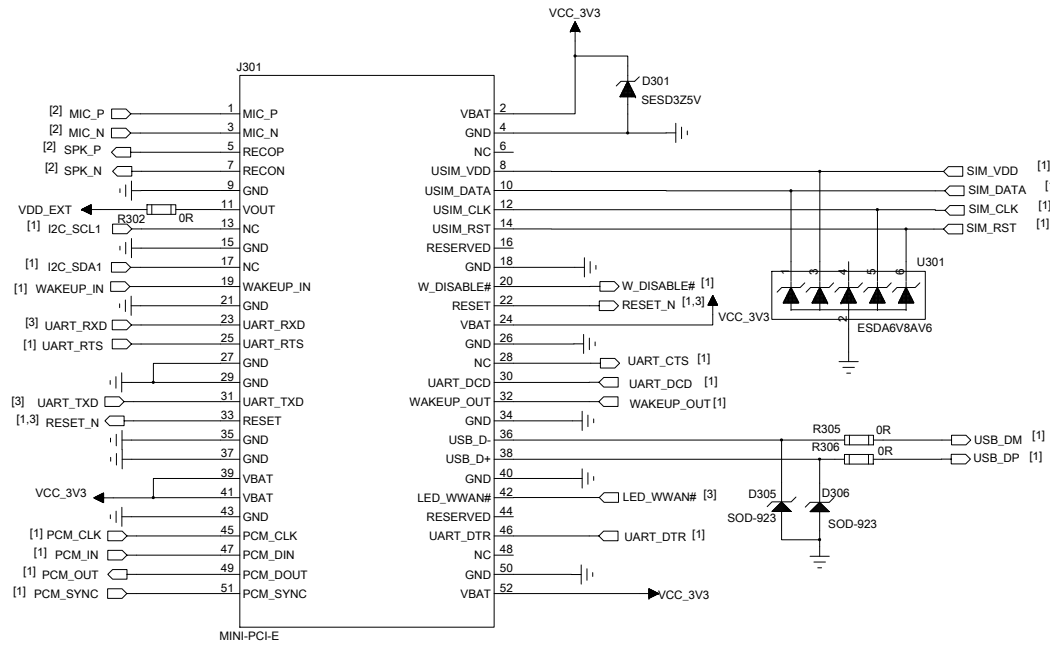
- [3] MIC_P
- [3] MIC_N

- [3] SPK_P
- [3] SPK_N

Quectel Wireless Solutions

DRAWN BY <NAME HERE>	PROJECT UC20-MINIPCIE-C	TITLE PCM CODEC
CHECKED BY <NAME HERE>	SIZE A2	VER 1.01
SHEET 2 of 4		<2014.5>

MINI PCI Express Interface Definition



Quectel Wireless Solutions

DRAWN BY <NAME HERE>	PROJECT UC20-MINIPCI-E-C	TITLE MINI-PCI-E Interface
CHECKED BY <NAME HERE>	SIZE A2	VER 1.01
	SHEET 3 of 4	<2014.5>

6

5

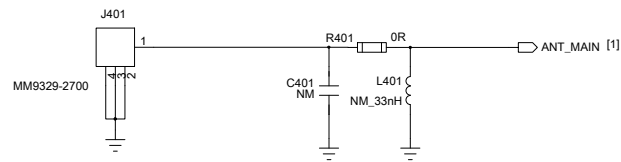
4

3

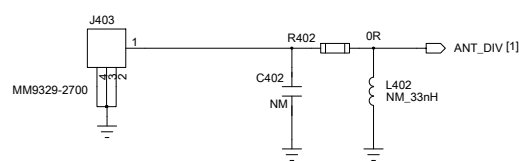
2

1

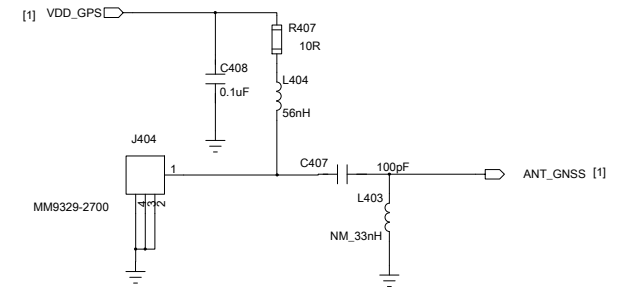
Main Antenna Interface



DIV Antenna Interface



GPS Interface



Quectel Wireless Solutions

DRAWN BY <NAME HERE>	PROJECT UC20-MINIPCIE-C	TITLE RF Connector
CHECKED BY <NAME HERE>	SIZE A2	VER 1.01
	SHEET 4 of 4	<2014.5>

6

5

4

3

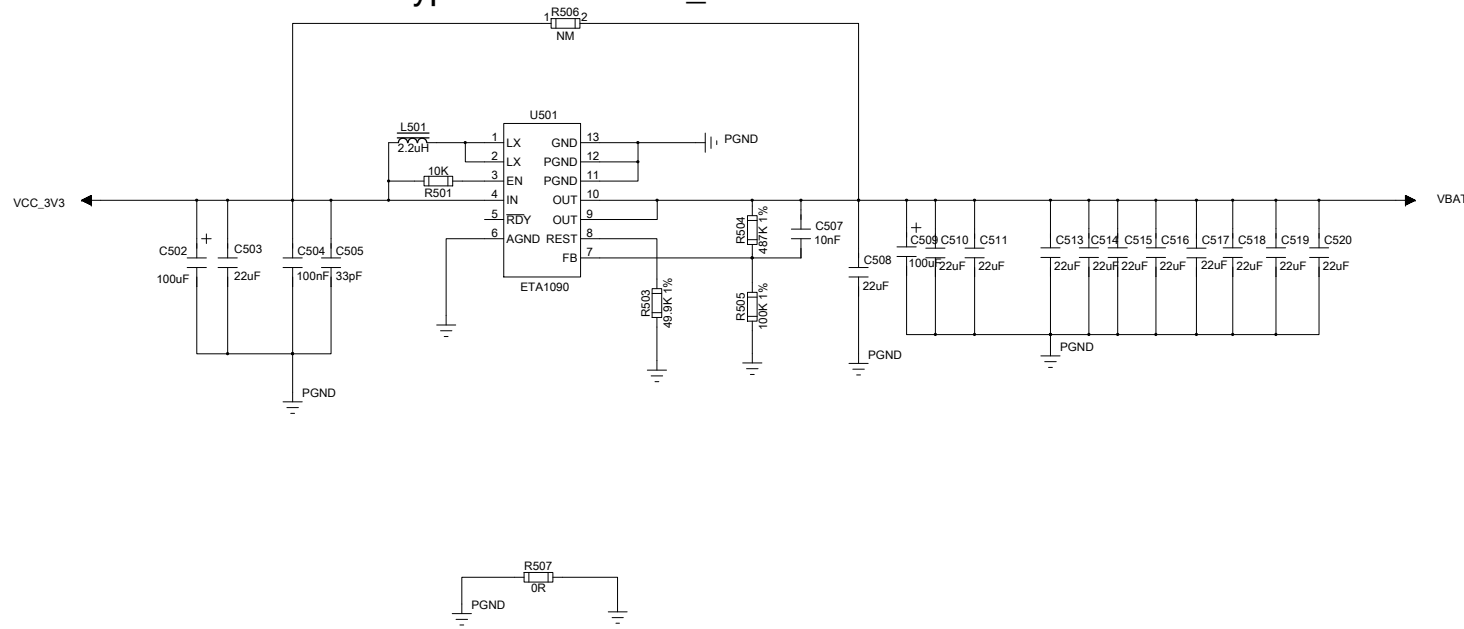
2

1

$$V_{out} = [(R504 + R505) / R505] * 0.6$$

Typ.=3.53

lin_limit=4A



Quectel Technology

DRAWN BY <NAME HERE>	PROJECT	TITLE
CHECKED BY <NAME HERE>	SIZE A2	VER 1.01
SHEET 8 of 9		<DATE HERE>