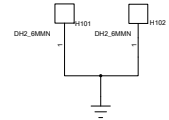
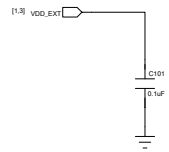
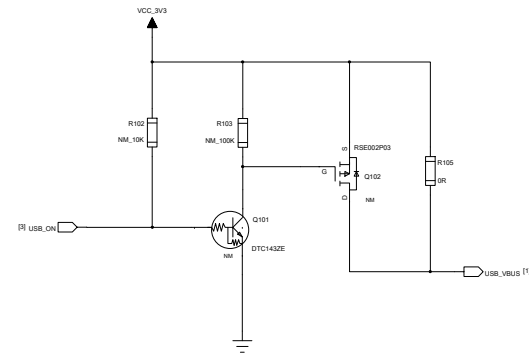
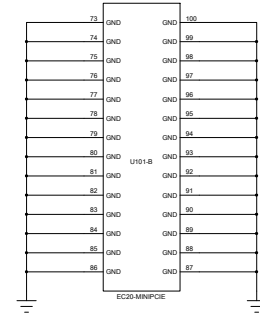
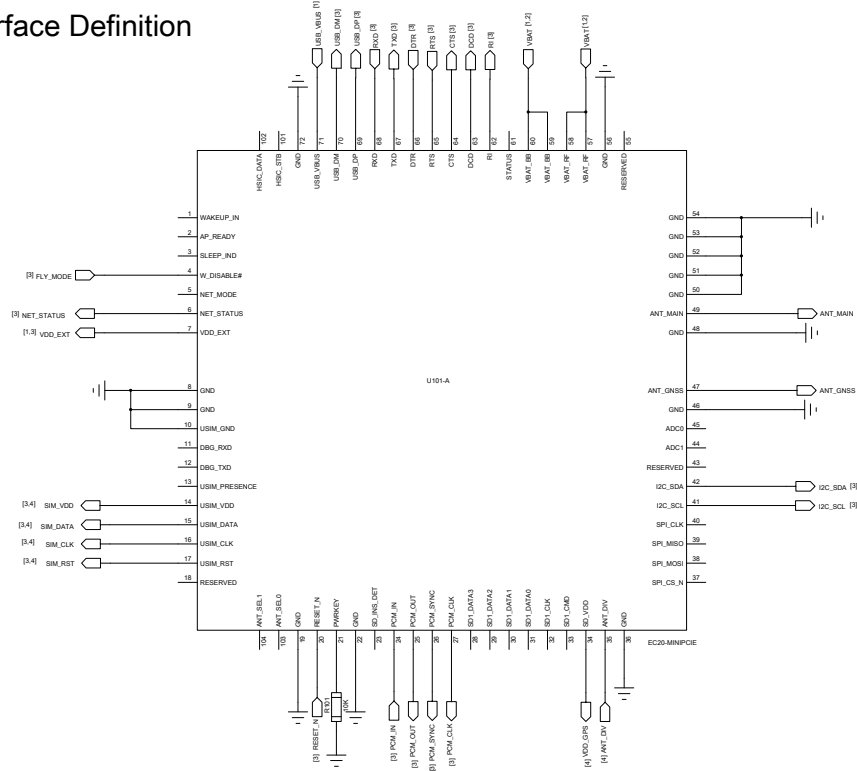


EC20 Interface Definition



Quectel Technology		
DRAWN BY <Mountain>	PROJECT EC20-MINIPICIE	TITLE Moudle_Interface
CHECKED BY <NAME HERE>	SIZE A2	VER 1.02
	SHEET 1 of 4	<2015.06>

6

5

4

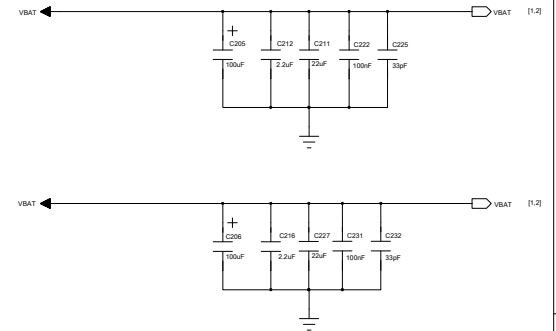
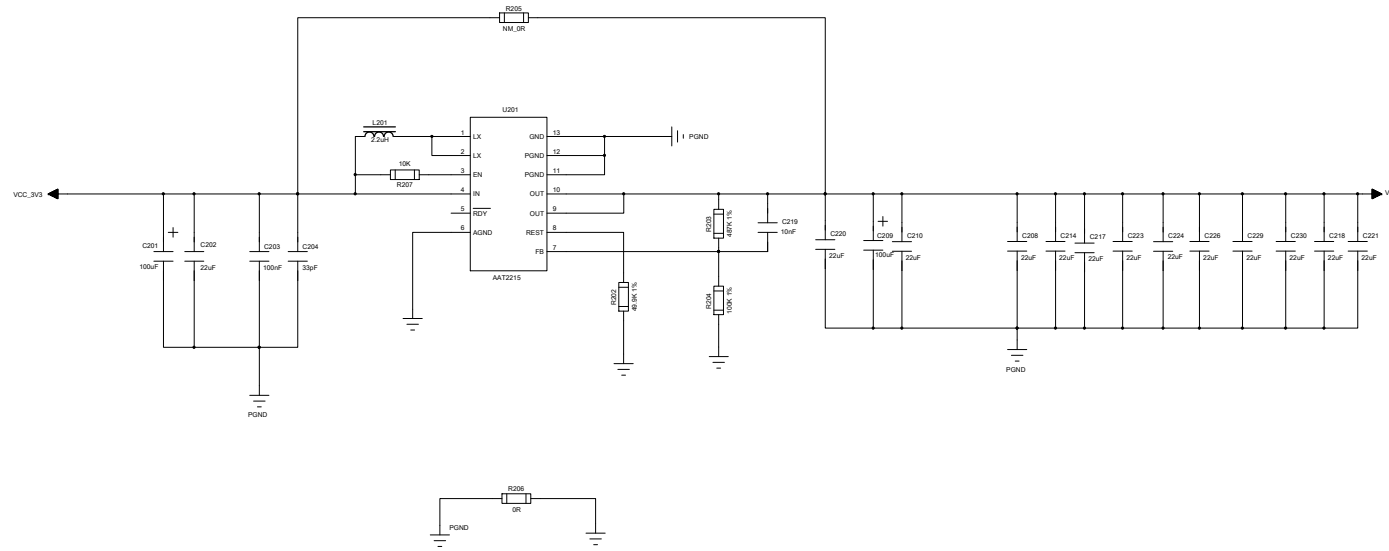
3

2

1

$$V_{out} = [(R203 + R204) / R204] * 0.6$$

Typ.=3.53 lin_limit=4A



Quectel Technology

DRAWN BY <RAdam>	PROJECT EC20-MINIPCIE	TITLE Power_Design
CHECKED BY <NAME HERE>	SIZE A2	VER 1.01
SHEET 2 of 4		<2014.10>

6

5

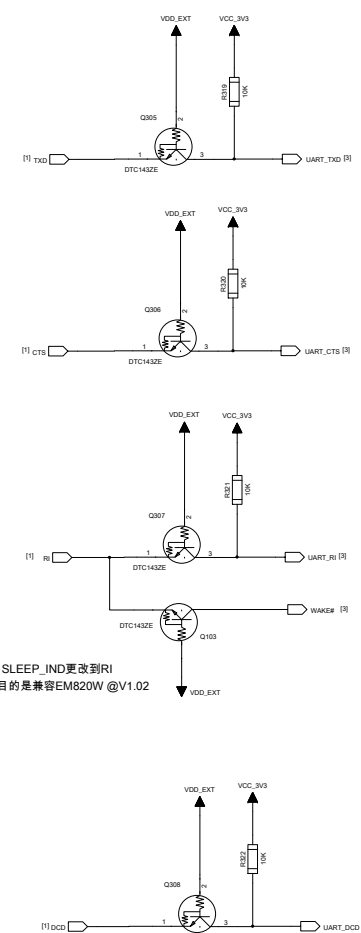
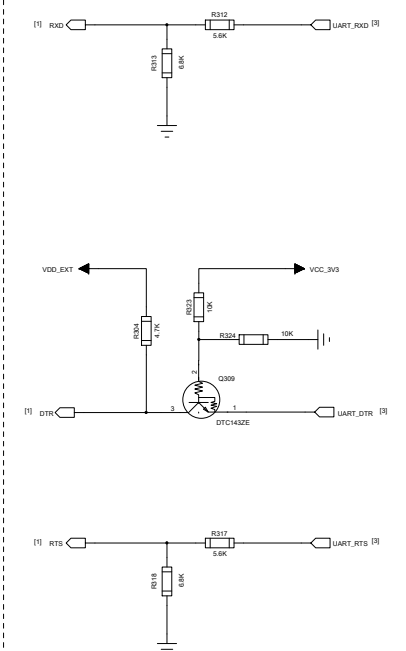
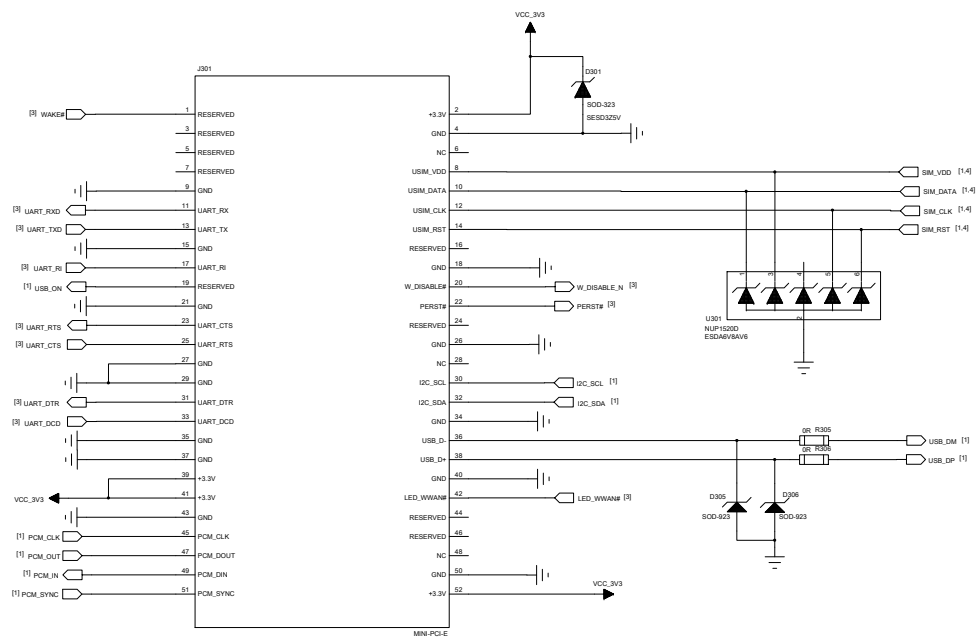
4

3

2

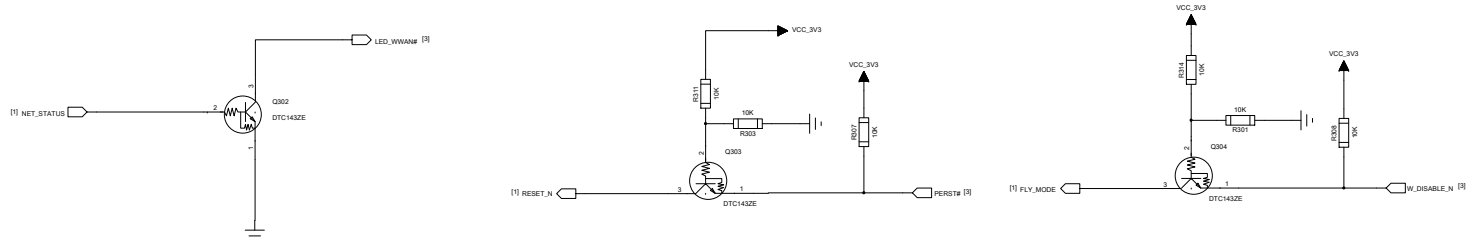
1

MINI PCI Express Interface Definition



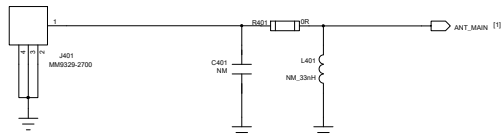
20150624 : Q103连接由SLEEP_IND更改到IRI OC输出, 低电平唤醒, 目的是兼容EM820W @V1.02

Control Circuit

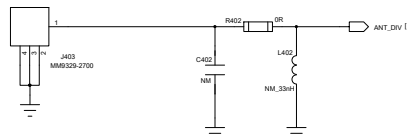


Quectel Technology		
DRAWN BY <Radom>	PROJECT EC20-MINIPcie	TITLE MINI-PCI-E Interface
CHECKED BY <NAME HERE>	SIZE A2	VER 1.01
SHEET 3 of 4		<2014.10>

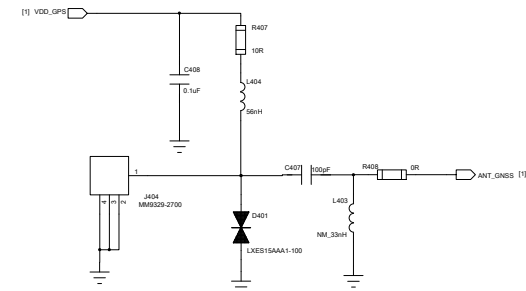
Main Antenna Interface



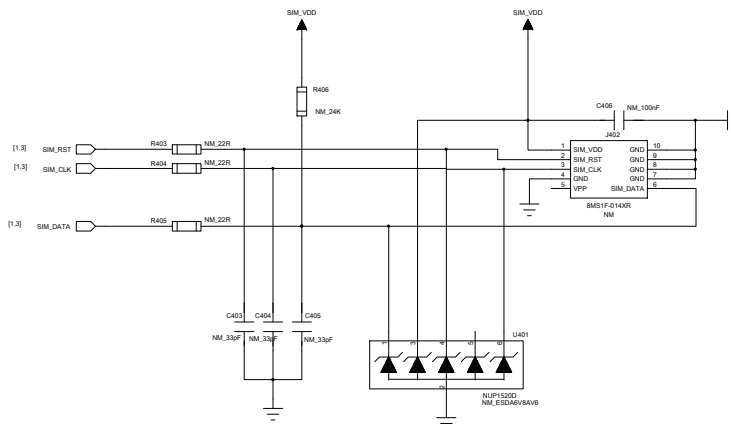
DIV Antenna Interface



GPS Interface



USIM



Quectel Technology

DRAWN BY <Radom>	PROJECT EC20-MINIPCIE	TITLE RF Connector
CHECKED BY <NAME HERE>	SIZE A2	VER 1.01
	SHEET 4 of 4	<2014.10>