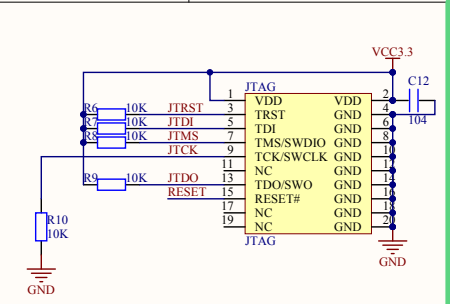
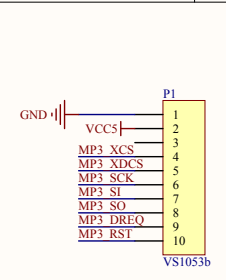


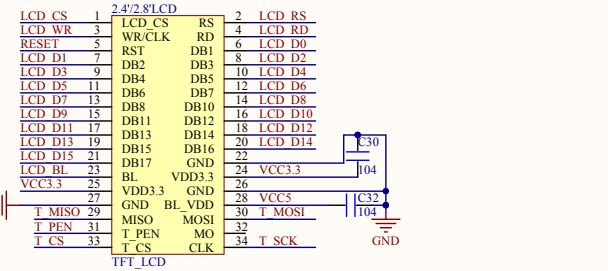
USB POWER



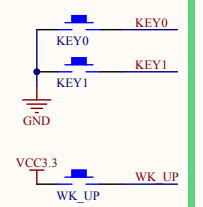
JTAG



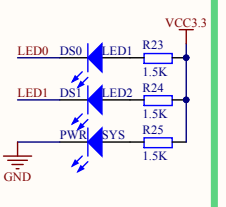
MP3



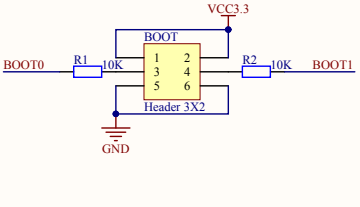
LCD



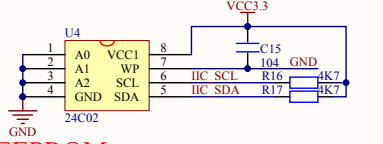
KEY



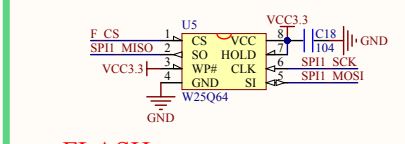
LED



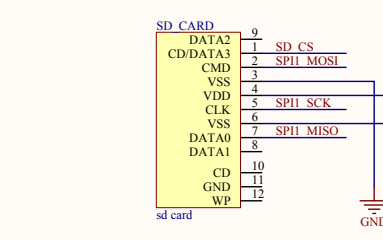
BOOT



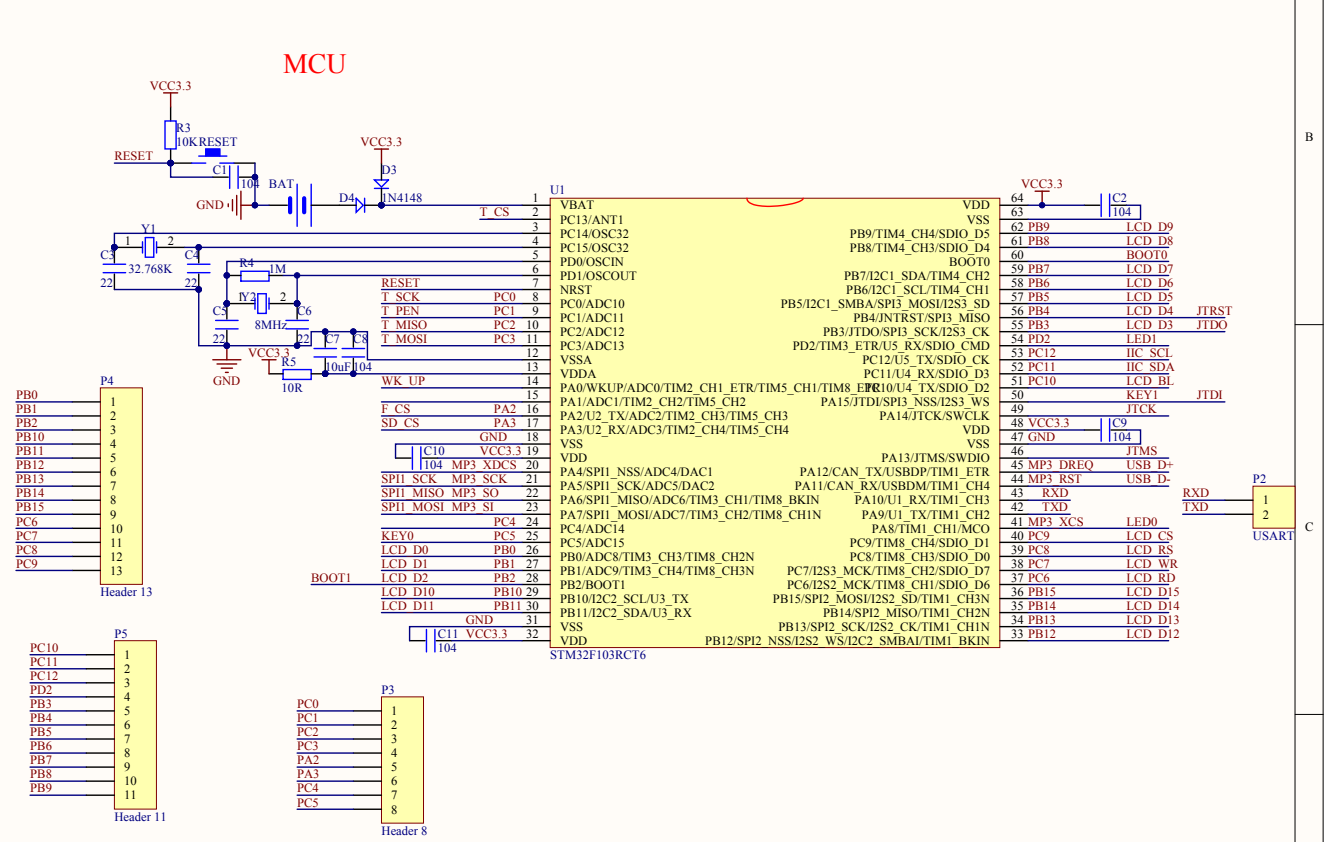
EEPROM



FLASH



SD_CARD



MCU

Title		
Size	Number	Revision
A3		
Date:	2018/3/23	Sheet of
File:	C:\Users\... \STM32F103RCT6_Sch.Doc	Drawn By:

