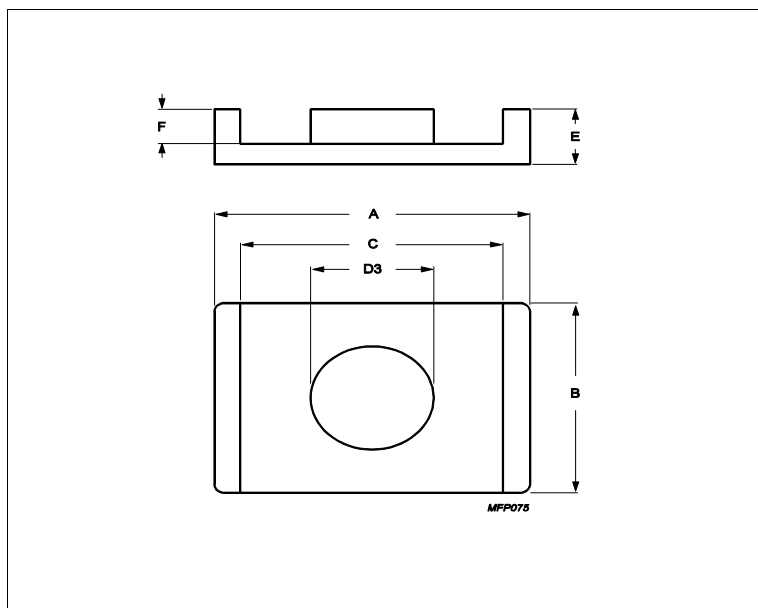


Core **ER14.5/3/7**



Effective parameters			
	Parameter	Value	Unit
$\Sigma(I/A)$	core factor (C1)	1.08	mm ⁻¹
Ve	effective volume	333	mm ³
Le	effective length	19	mm
Ae	effective area	17.6	mm ²
Amin	minimum area	17.3	mm ²
m	ER14.5/3/7	≈ 0.9	g/pcs

Dimensions for product: ER14.5/3/7

	Nom	Tol +	Tol -	Max	Min	Unit
A	14.50	0.20	0.20	14.70	14.30	mm
B	6.80	0.00	0.20	6.80	6.60	mm
C	11.80	0.20	0.20	12.00	11.60	mm
D3	4.80	0.00	0.20	4.80	4.60	mm
E	2.95	0.05	0.05	3.00	2.90	mm
F	1.55	0.20	0.00	1.75	1.55	mm

Inductance factor

Material	Value	Tol +	Tol -	Unit
3C92	1250	25%	25%	nH/turns ²
3C95	1850	25%	25%	nH/turns ²
3C96	1500	25%	25%	nH/turns ²
3C97	1850	25%	25%	nH/turns ²
3F36	1100	25%	25%	nH/turns ²
3F46	730	25%	25%	nH/turns ²

Power loss: 3C92

Measuring conditions			Max	Unit
100 kHz	200 mT	100 °C	0.170	W/set

Power loss: 3C95

Measuring conditions			Max	Unit
100 kHz	200 mT	100 °C	0.160	W/set
100 kHz	200 mT	25 °C	0.170	W/set

Core **ER14.5/3/7**

Power loss: 3C96				
Measuring conditions			Max	Unit
100 kHz	200 mT	100 °C	0.150	W/set
400 kHz	50 mT	100 °C	0.060	W/set
Power loss: 3C97				
Measuring conditions			Max	Unit
100 kHz	200 mT	60 °C	0.170	W/set
100 kHz	200 mT	120 °C	0.160	W/set
100 kHz	200 mT	140 °C	0.200	W/set
Power loss: 3F36				
Measuring conditions			Max	Unit
500 kHz	50 mT	100 °C	0.050	W/set
500 kHz	100 mT	100 °C	0.380	W/set
Power loss: 3F46				
Measuring conditions			Max	Unit
1000 kHz	50 mT	100 °C	0.130	W/set
3000 kHz	10 mT	100 °C	0.032	W/set

Bsat					
Measuring conditions			Material	Min	Unit
25 kHz	250 A/m	100 °C	3C92	370	mT
25 kHz	250 A/m	100 °C	3C95	330	mT
25 kHz	250 A/m	100 °C	3C96	340	mT
25 kHz	250 A/m	100 °C	3C97	330	mT
25 kHz	250 A/m	100 °C	3F36	340	mT
25 kHz	250 A/m	100 °C	3F46	330	mT

Accessories		
Ordering name	Description	Ordering code
CLM-ER14.5	Clamp	432202101541
CPVS-ER14.5-1S-10P-Z	Coil former, termoplastic, vertical, SMD	432202106151